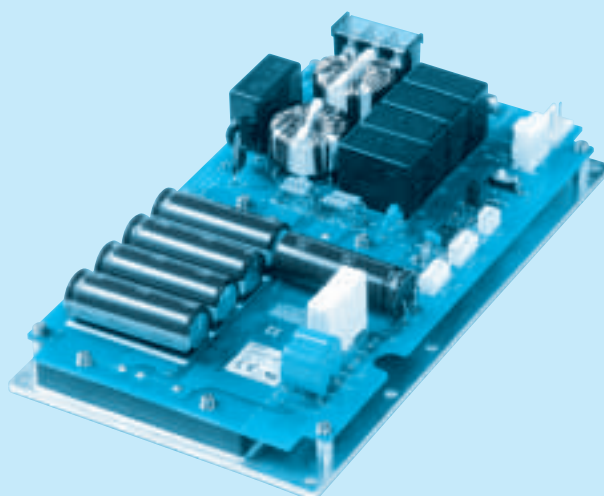


SNDPF1000

SNDPF 1000

① ②



① Series name
② Output wattage
1000 : 1000W (AC 100V)
1500 : 1500W (AC 200V)

* For connection of loads except the series SNDHS/SNDBS, please contact Cosel development department.

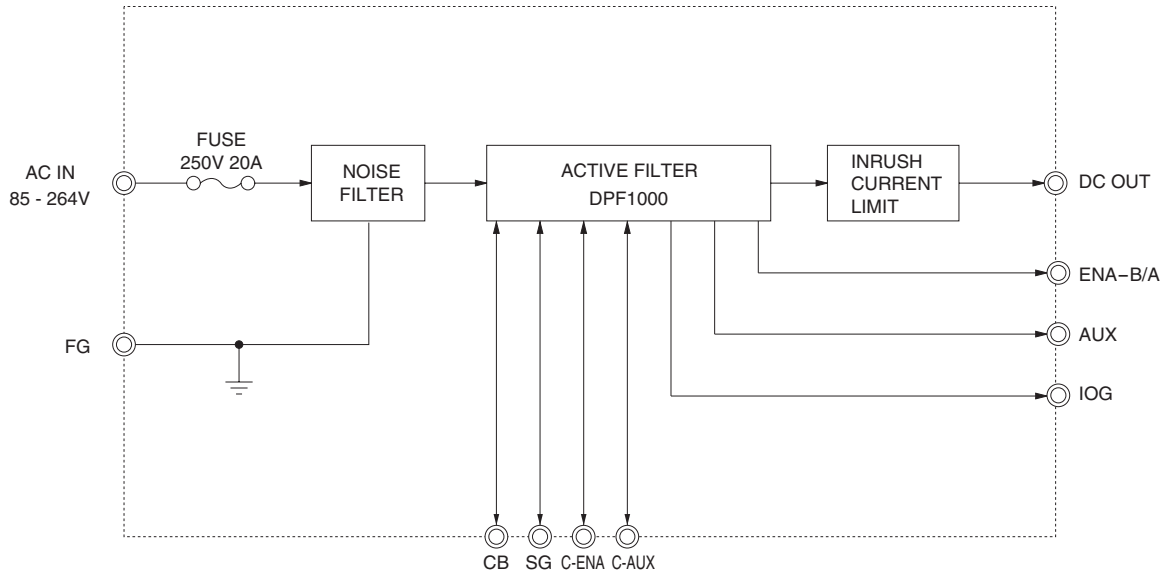
MODEL	SNDPF1000	
AC INPUT[V]	AC85 - 264	AC170 - 264
MAX OUTPUT WATTAGE[W]	*1 1000	1500
DC OUTPUT VOLTAGE[V]	*2 360	

SPECIFICATIONS

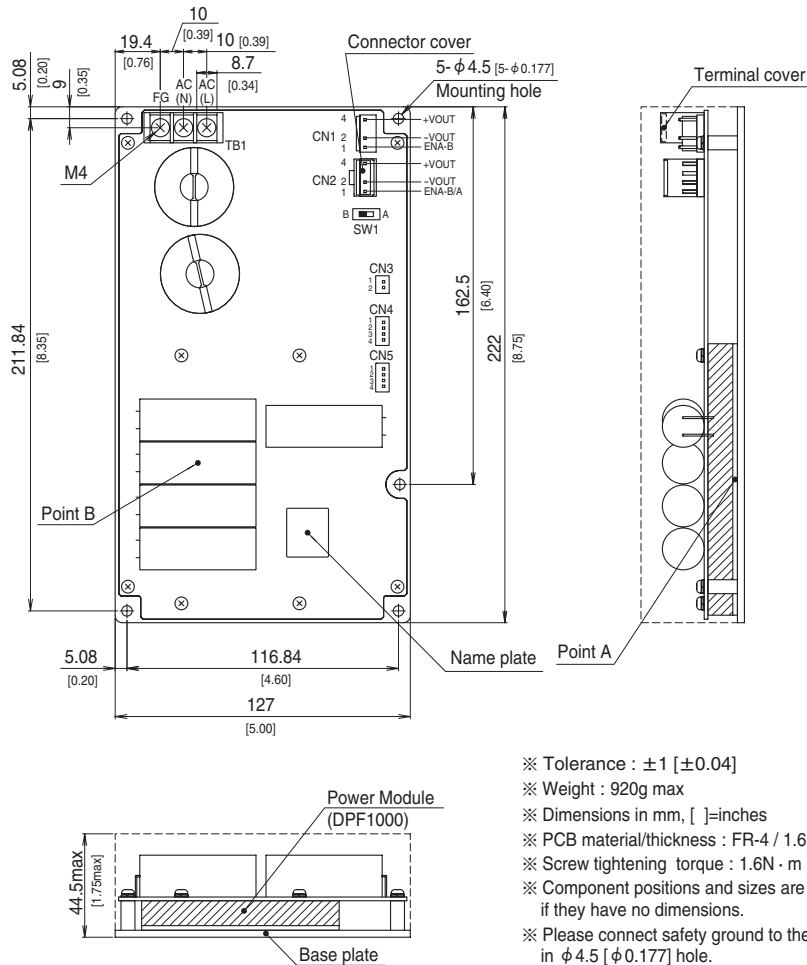
	MODEL	SNDPF1000
INPUT	VOLTAGE[V]	AC85 - 264 1 φ AC170 - 264 1 φ
	POWER FACTOR CORRECTION RANGE[V]	AC85 - 255 1 φ
	CURRENT[A]	11.5typ (ACIN 100V) 8.5typ (ACIN 200V)
	FREQUENCY[Hz]	50/60 (47 - 63)
	INRUSH CURRENT[A]	AC100V 20/20 typ (Io=100%) (Primary inrush current / Secondary inrush current) (More than 10 sec. to re-start) *3 AC200V 40/20 typ (Io=100%) (Primary inrush current / Secondary inrush current) (More than 10 sec. to re-start)
	EFFICIENCY[%]	90typ (ACIN 100V, Io=100%) 95typ (ACIN 200V, Io=100%)
	POWER FACTOR	0.98typ (ACIN 100V, Io=100%) 0.95typ (ACIN 200V, Io=100%)
	LEAKAGE CURRENT[mA]	0.75 max (ACIN 240V 60Hz, Io=100%, According to IEC60950-1, DENAN)
	OUTPUT	WATTAGE[W]
VOLTAGE[V]		*2 360
VOLTAGE ACCURACY		*4 ±20%
PROTECTION CIRCUIT AND OTHERS	OVERVOLTAGE PROTECTION[V]	DC400-450V The power factor correction function stops
	IOG	Inverter operation monitoring, Open-collector output, Maximum sink current 10mA, Maximum allowance voltage 35V
	ENA	*5 Enable signal, Open-collector output, Maximum sink current 10mA, Maximum allowance voltage 35V
	AUX	Auxiliary power supply for external signal Refer to Instruction Manual (4.6 AUX)
	OTHERS	*6 Parallel operation possible (Current balancing function), Thermal protection
ISOLATION	INPUT-OUTPUT	Non isolated
	INPUT, OUTPUT-FG	AC3,000V 1minute Cutoff current = 10mA, DC500V, 50MΩ min (20±15°C)
ENVIRONMENT	OPERATING TEMP., HUMID. AND ALTITUDE	-20 to +80°C (On aluminum base plate), 20 - 95%RH (Non condensing) (Refer to DERATING CURVE) 3,000m (10,000feet) max
	STORAGE TEMP., HUMID. AND ALTITUDE	-20 to +100°C, 20 - 95%RH (Non condensing), 9,000m (30,000feet) max
	VIBRATION	10 - 55Hz, 19.6m/s ² (2G), 3minutes period, 60minutes each along X, Y and Z axis
	IMPACT	196.1m/s ² (20G), 11ms, once each along X, Y and Z axis
SAFETY	SAFETY AGENCY APPROVALS	UL60950-1, C-UL, EN60950-1, Complies with DEN-AN
	CONDUCTED NOISE	Complies with FCC-A, VCCI-A, CISPR22-A, EN55011-A, EN55022-A
	HARMONIC ATTENUATOR *7	Complies with IEC61000-3-2 (Class A) (1000W output power exceeds the electrolytic capacitor is required for external)
OTHERS	CASE SIZE/WEIGHT	127 X 44.5 X 222mm [5.0 X 1.75 X 8.75inches] (W X H X D) / 920g max
	COOLING METHOD	Conduction cooling (e.g. heat radiation from the aluminum base plate to the attached heat sink)

*1 Refer to input voltage derating.
*2 When the input voltage is more than 255V, the power factor correction function stops, and the output voltage becomes rectified AC input voltage.
*3 The current of input surge to a built-in EMI/EMC filter (0.2ms or less) is excluded.
*4 The value included the output setting and the line regulation, the load regulation and the temperature regulation.
However, the input voltage is in the power factor correction range.
*5 Refer to manual.
*6 The power factor correction function and ENA stop when thermal protection function works.
*7 Please contact us about Harmonic attenuator class C.

Block diagram



External view



- ※ Tolerance : ± 1 [± 0.04]
- ※ Weight : 920g max
- ※ Dimensions in mm, []=inches
- ※ PCB material/thickness : FR-4 / 1.6mm [0.06]
- ※ Screw tightening torque : $1.6\text{N} \cdot \text{m}$ (16.9kgf · cm) max
- ※ Component positions and sizes are for your reference if they have no dimensions.
- ※ Please connect safety ground to the base plate in $\phi 4.5$ [$\phi 0.177$] hole.
- ※ The following parts are attached at shipping from factory
CN2 : Housing for protection
- ※ Keep drawing current per pin below 7A for CN1/CN2.